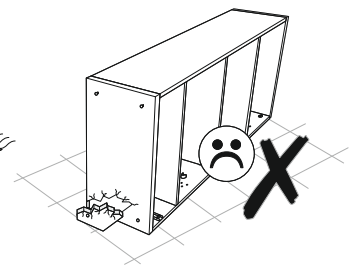
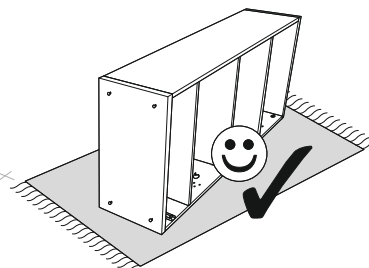
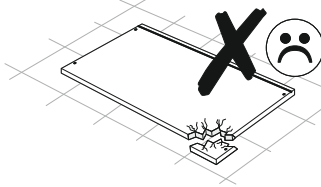
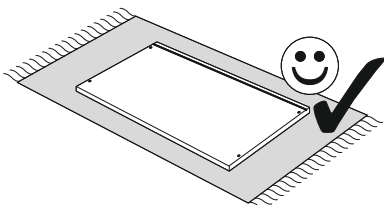
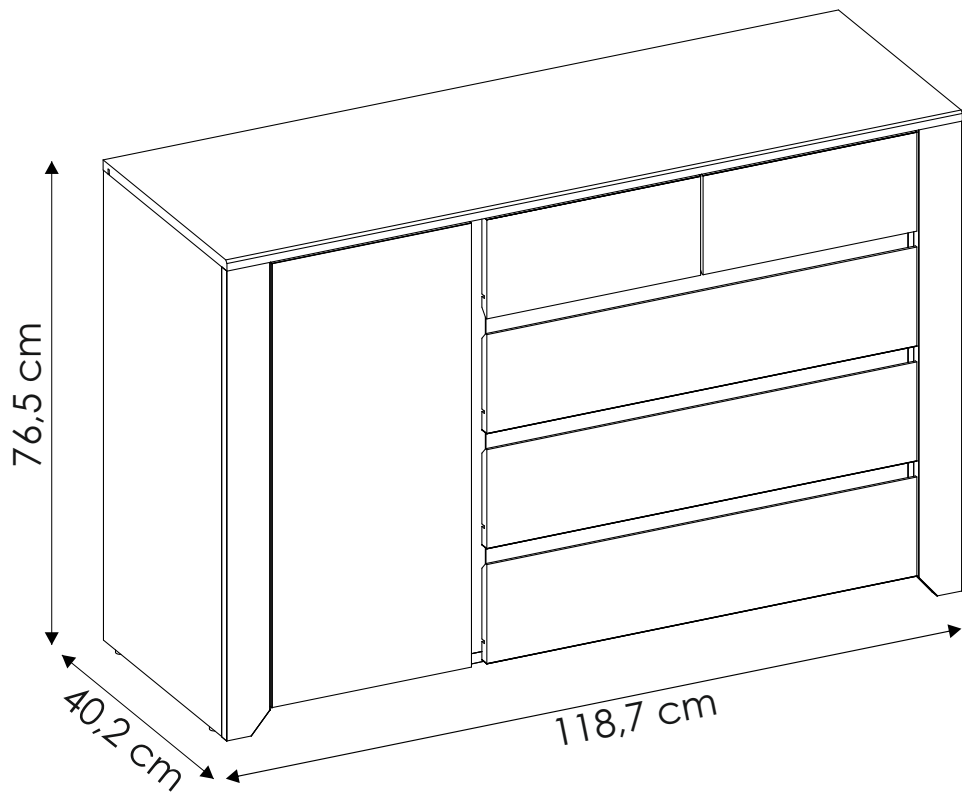
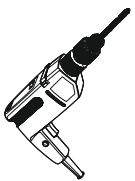
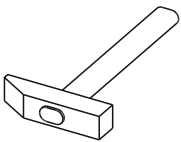
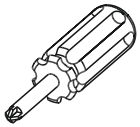
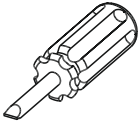
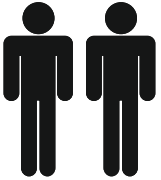
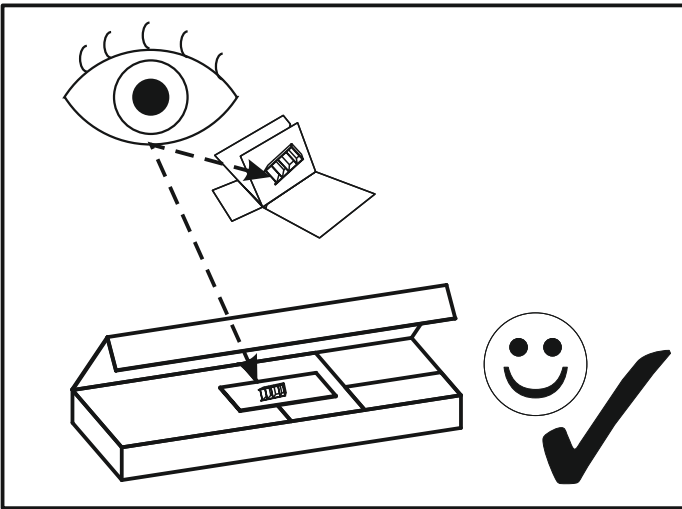
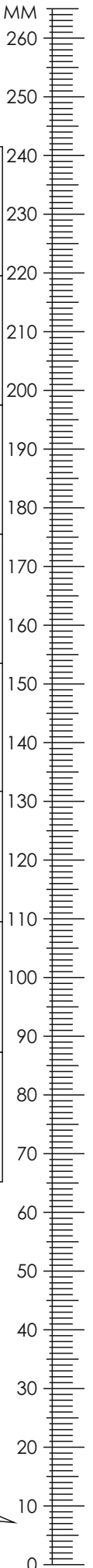



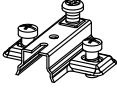
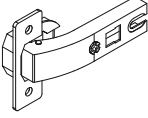


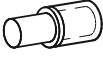
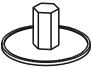



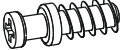

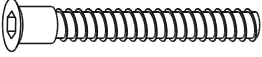


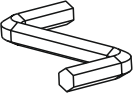

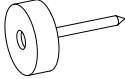
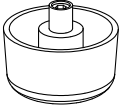

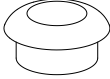

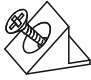

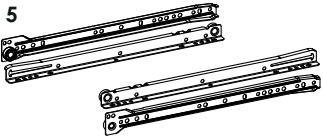
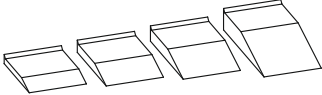
ANGEL 41

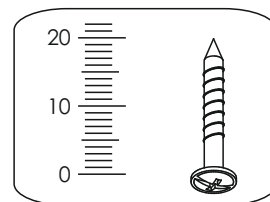




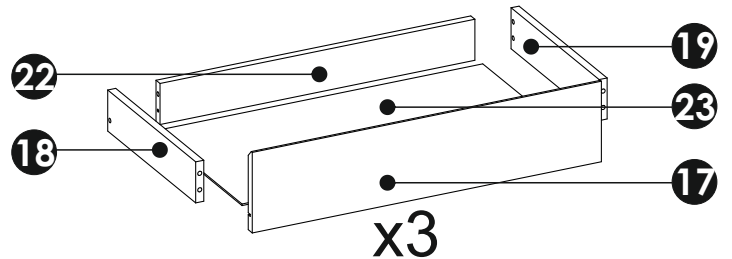
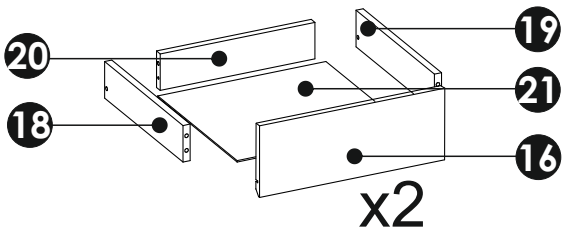
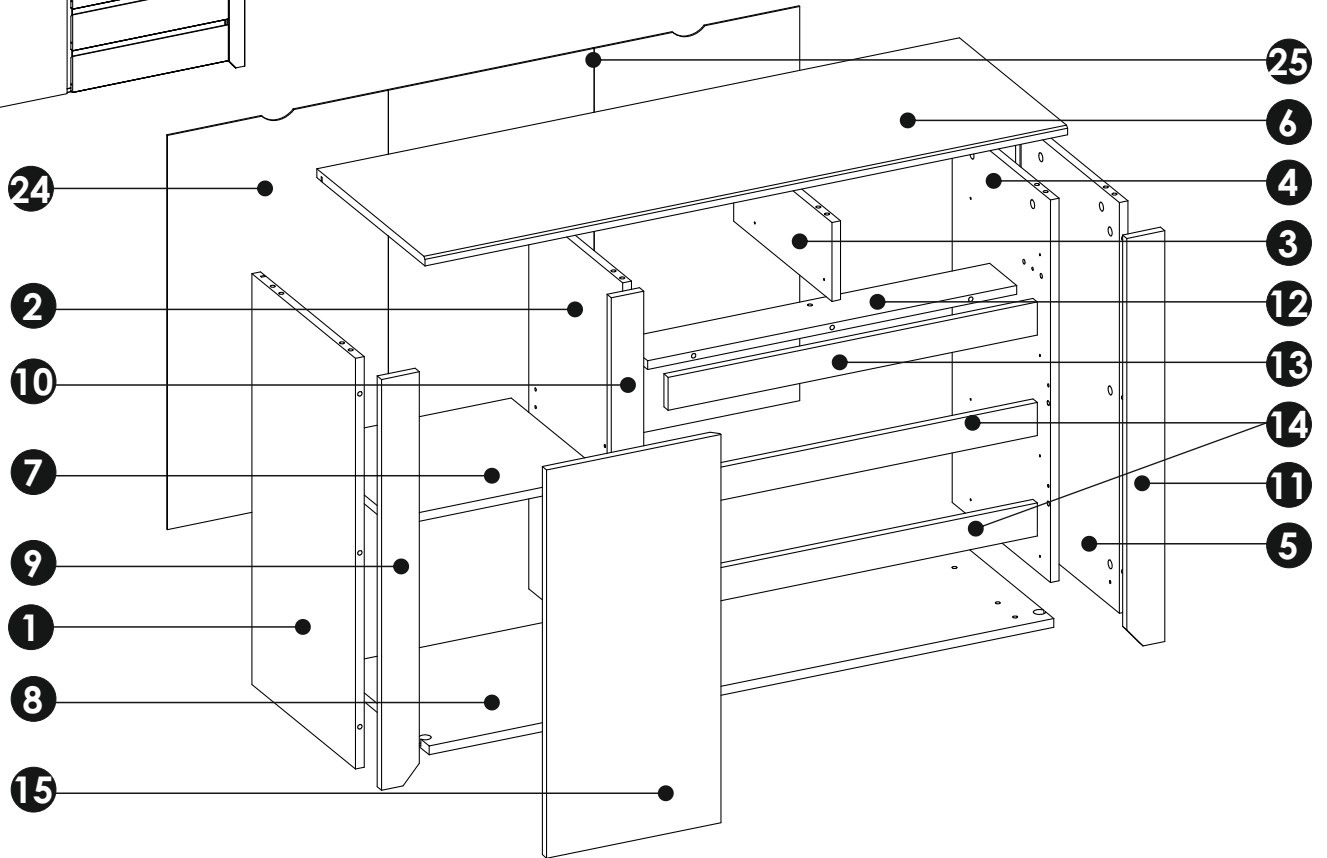
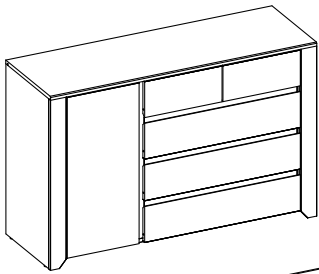
ANGEL 41



<p>A1 x 42 \varnothing8 x 35 mm</p> 	<p>BR2 x 2</p> 	<p>BR3 x 2</p> 
<p>C1 x 4 4 x 13 mm</p> 	<p>C2 x 20 5 x 13 mm</p> 	<p>D2 x 4</p> 
<p>E0 x 38</p> 	<p>E1 x 38 \varnothing15 x 12 mm</p> 	<p>E2 x 4</p> 
<p>F1 x38</p> 	<p>F2 x 4</p> 	<p>G0 x 15</p> 
<p>G1 x15 \varnothing7 x 50 mm</p> 	<p>I2 x 2 4 x 16 mm</p> 	<p>J1 x 30 3 x 20mm</p> 
<p>M x 1</p> 	<p>N1 x 50 3 x 16 mm</p> 	<p>O2 x 4</p> 
<p>O29 x 2</p> 	<p>Q9 x2</p> 	<p>P21 x 1</p> 
<p>R1 x4</p> 	<p>R4 x16</p> 	<p>R10 x 12</p> 
<p>T3 x 5</p> 	<p>Z x 1</p> 	



ANGEL 41

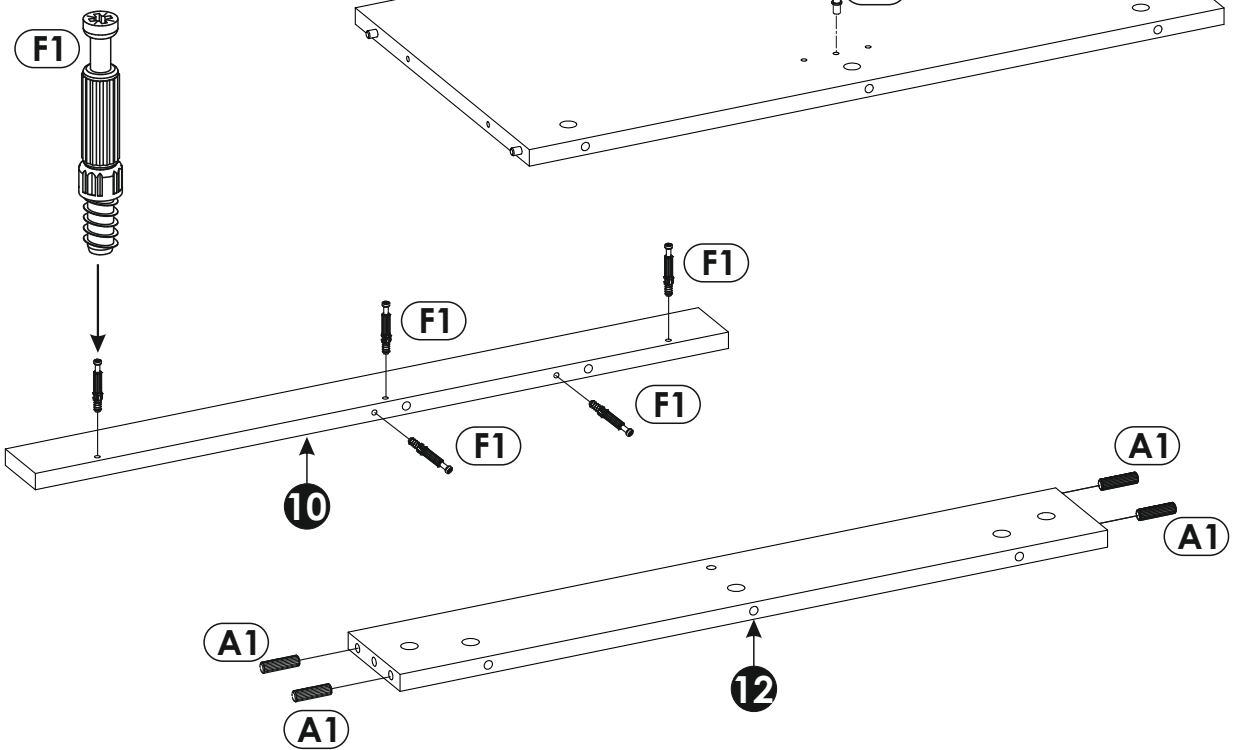
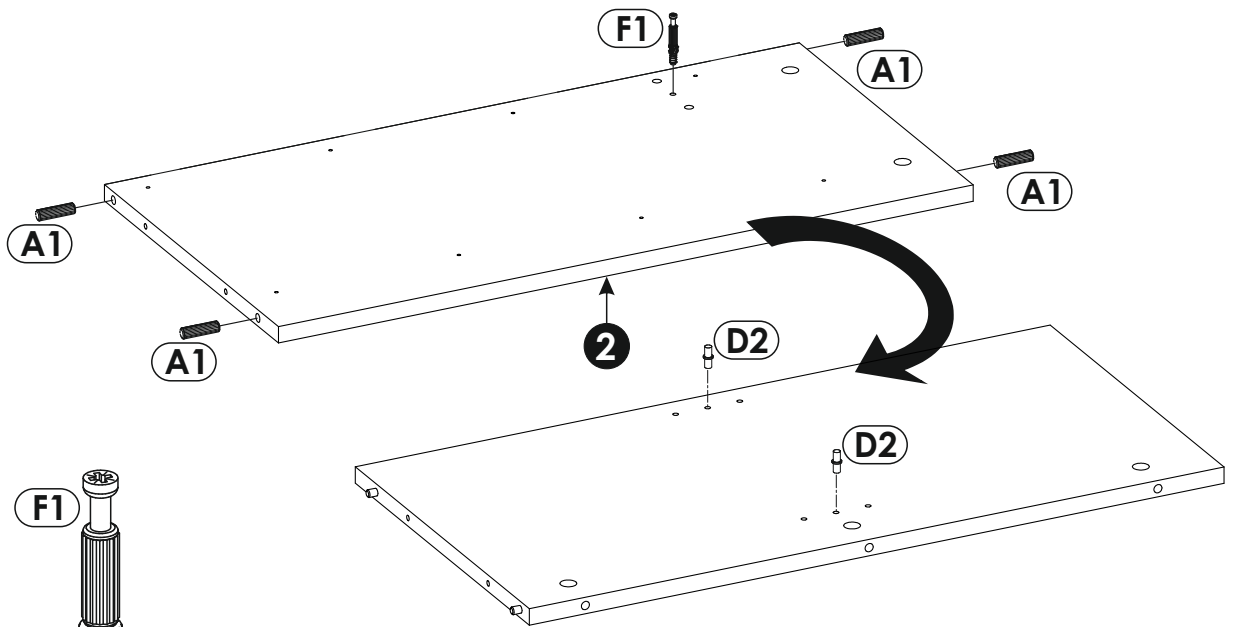
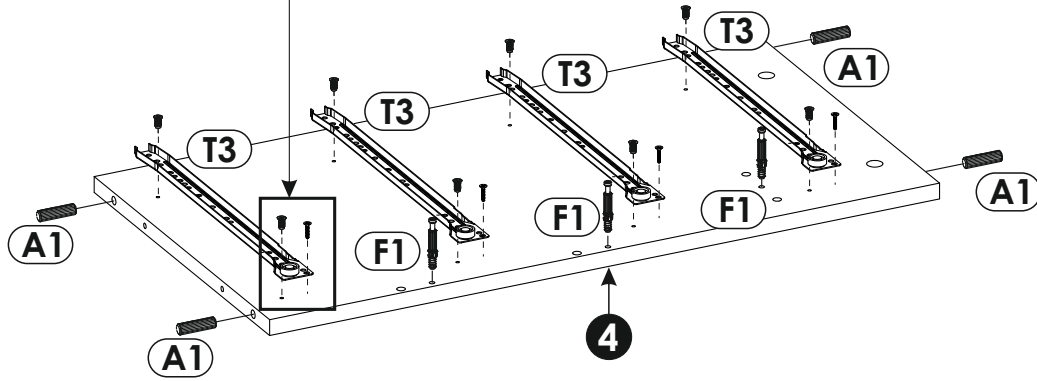
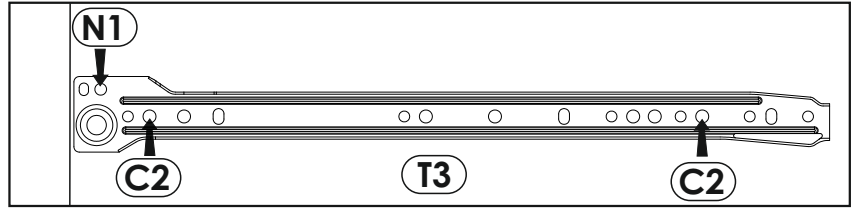
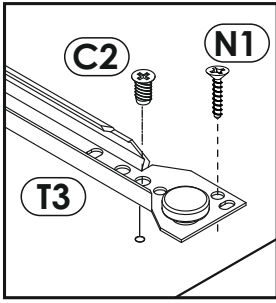


1	744	383	16	x1	1/2
2	693	347	16	x1	1/2
3	363	143	16	x1	2/2
4	693	363	16	x1	1/2
5	744	383	16	x1	1/2
6	1187	402	16	x1	1/2
7	393	347	16	x1	2/2
8	1154	363	16	x1	1/2
9	744	70	16	x1	1/2

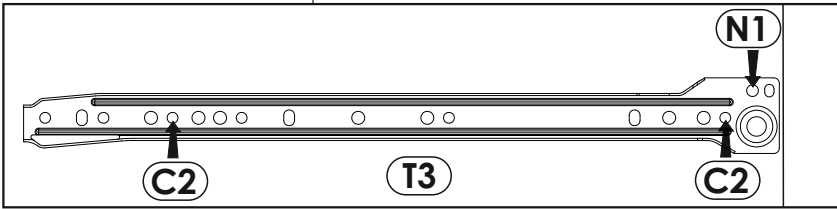
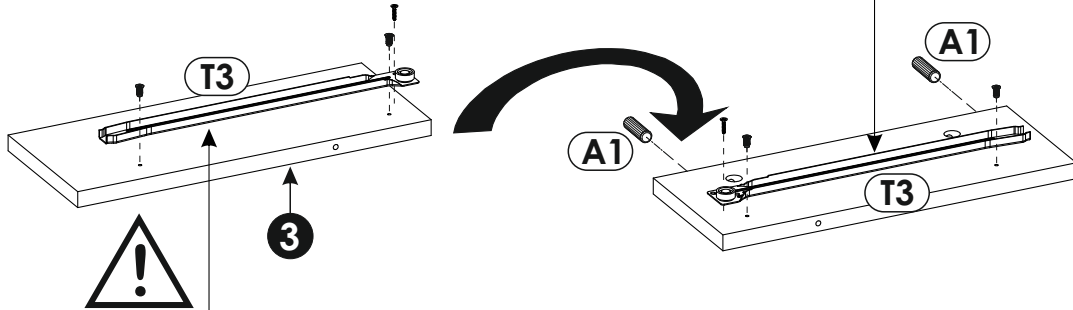
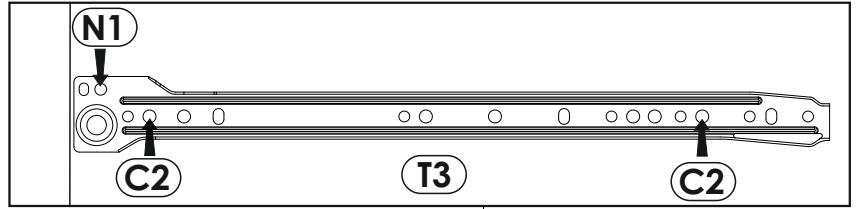
10	693	60	16	x1	1/2
11	744	70	16	x1	1/2
12	682	100	16	x1	1/2
13	682	60	16	x1	1/2
14	682	60	16	x2	1/2
15	703	322	16	x1	2/2
16	345	157	16	x2	2/2
17	694	157	16	x3	2/2
18	350	80	16	x5	1/2

19	350	80	16	x5	1/2
20	277	80	16	x2	2/2
21	355	307	3	x2	1/2
22	626	80	16	x3	2/2
23	656	355	3	x3	2/2
24	714	408	3	x1	2/2
25	714	760	3	x1	2/2

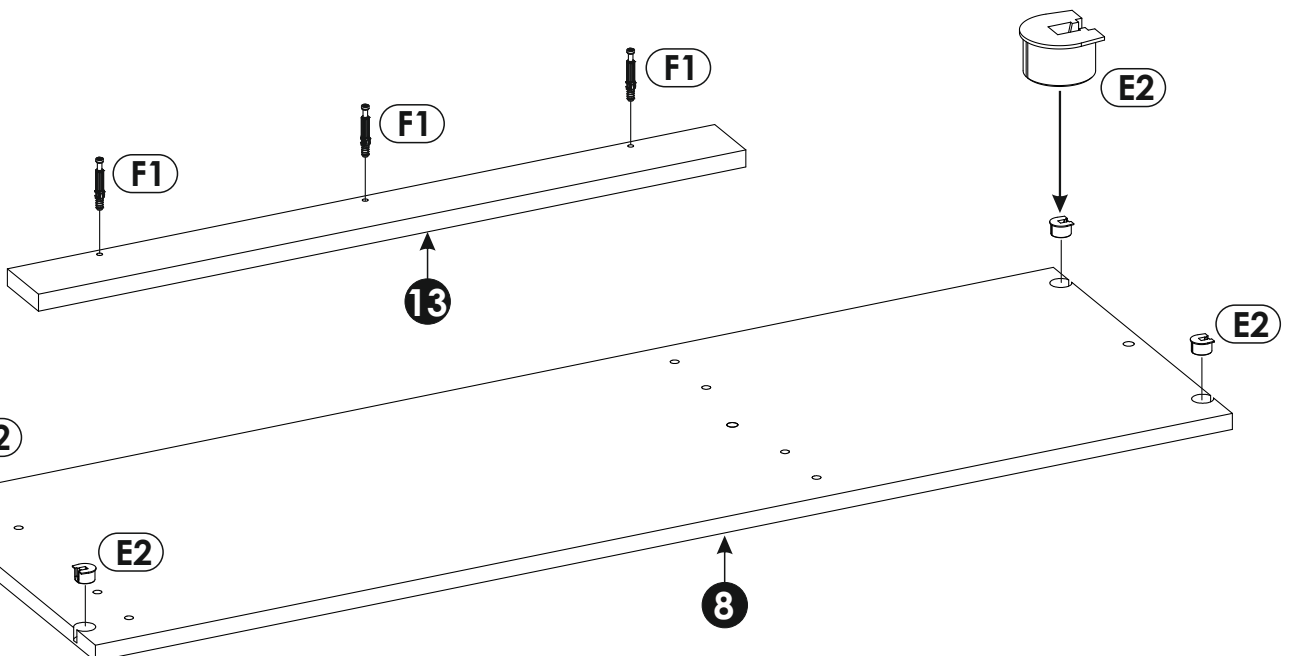
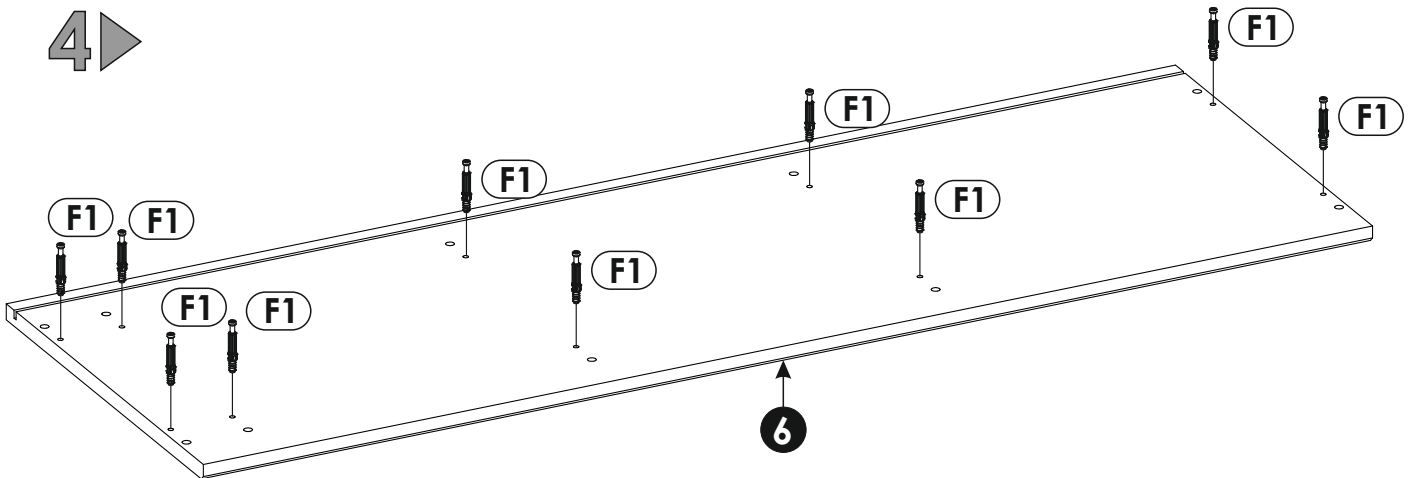
2 ▶



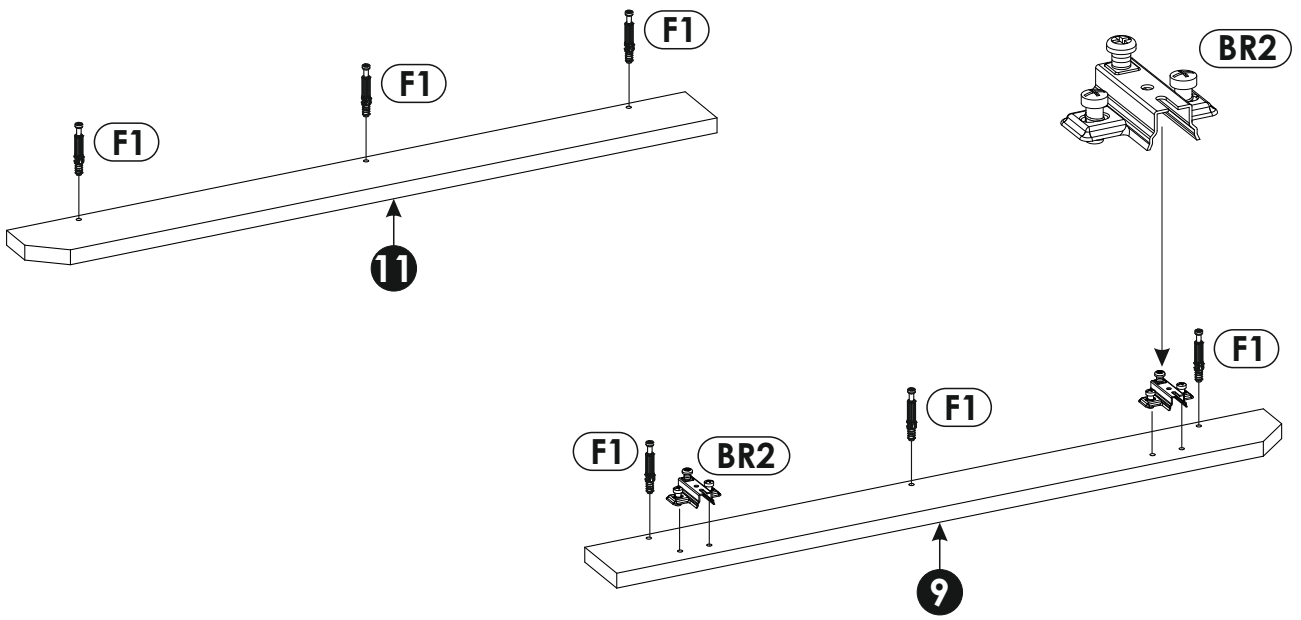
3 ▶



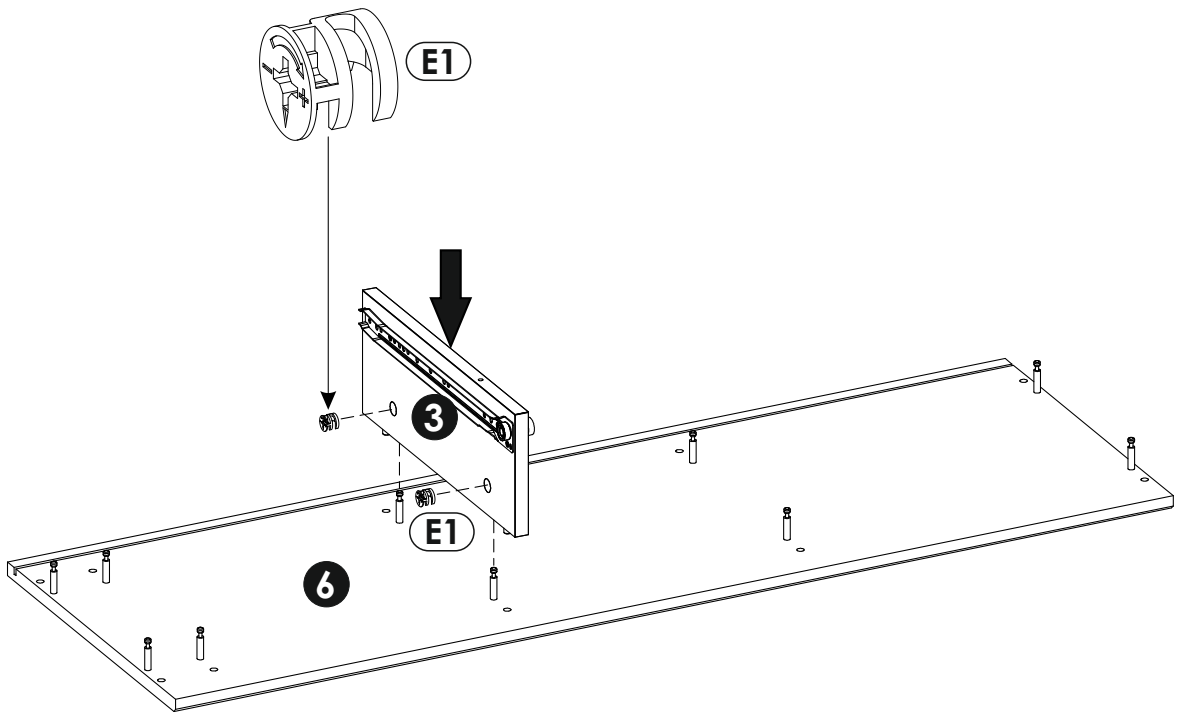
4 ▶



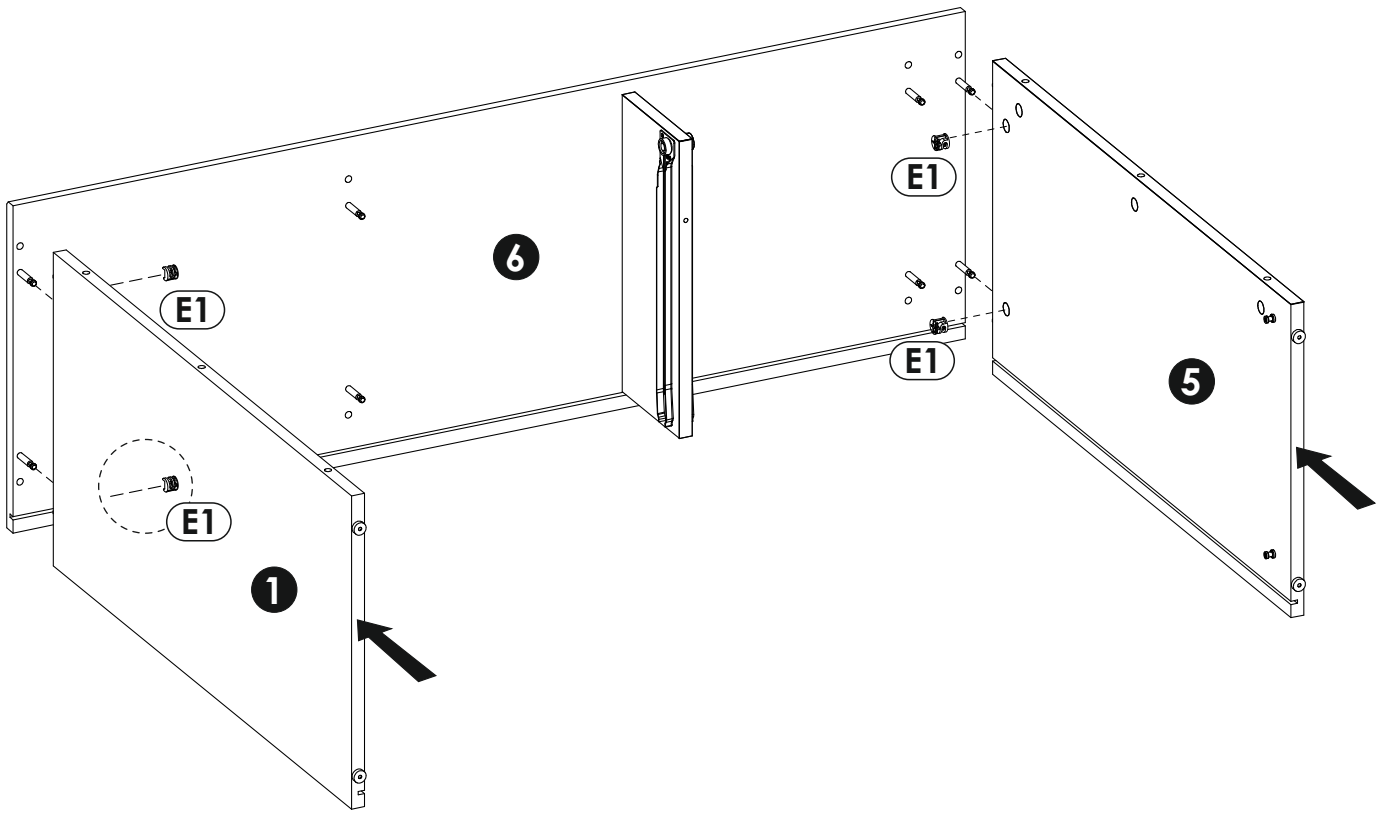
5 ▶



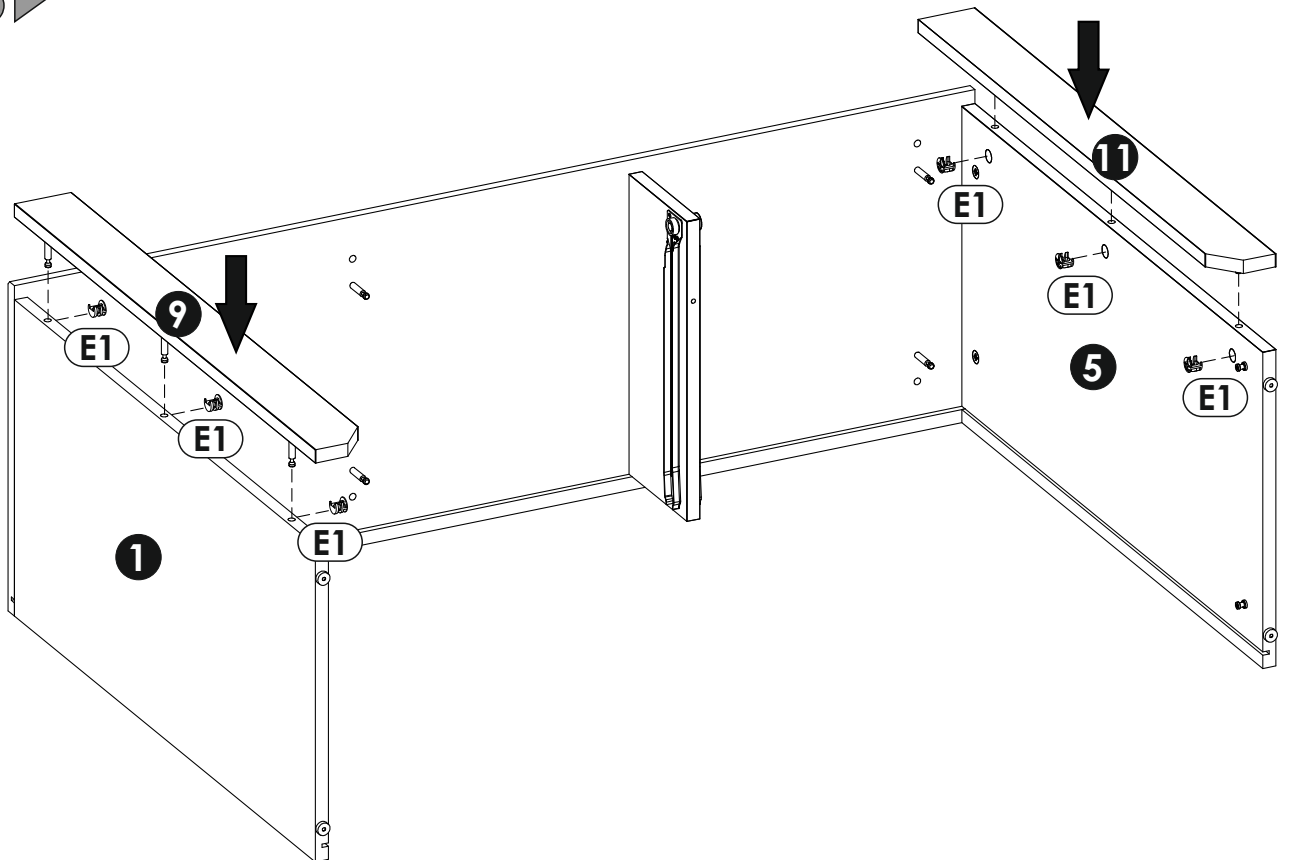
6 ▶



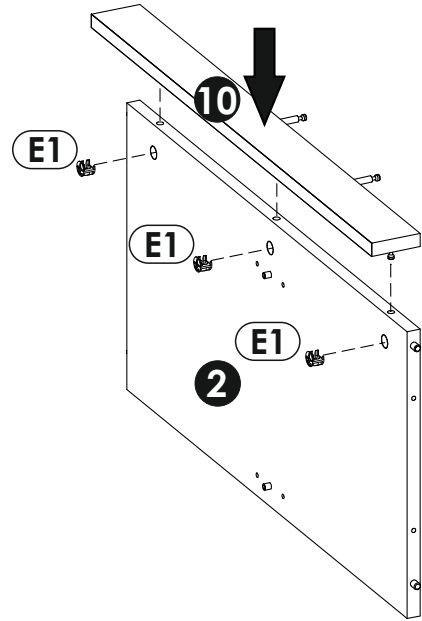
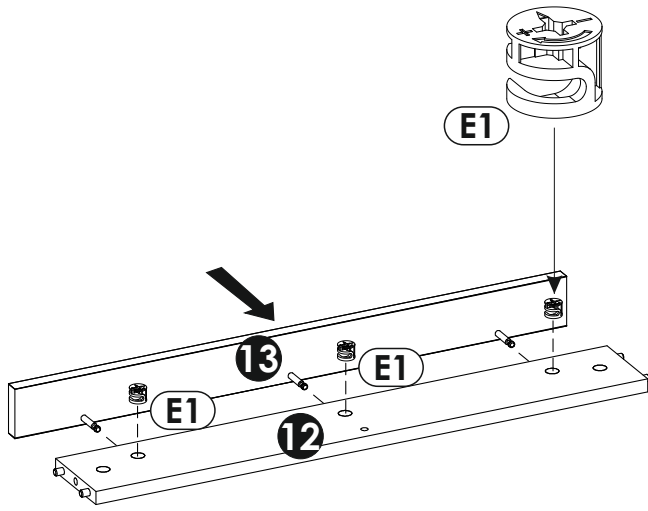
7 ▶



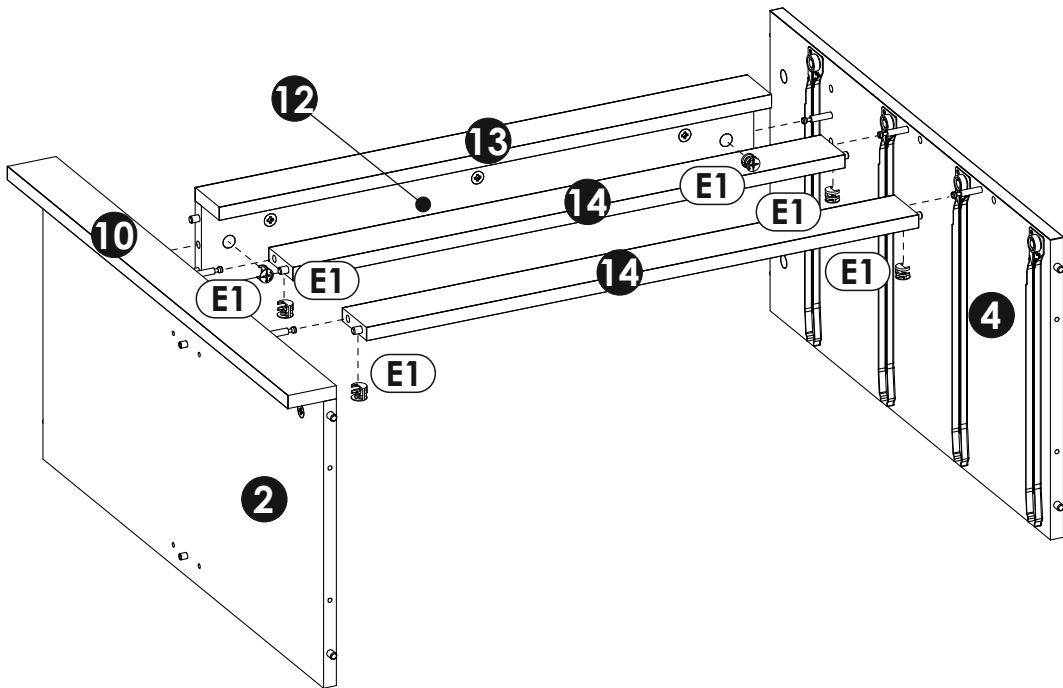
8 ▶



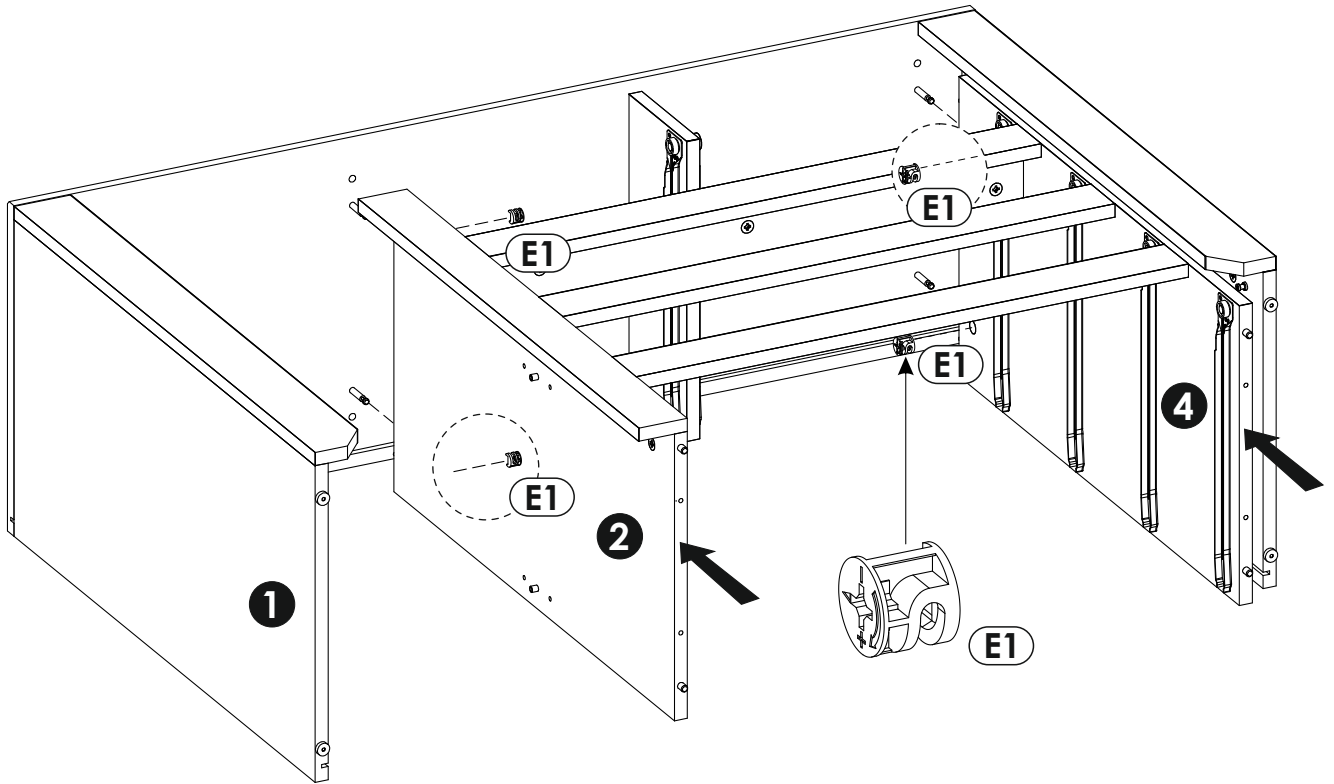
9 ▶



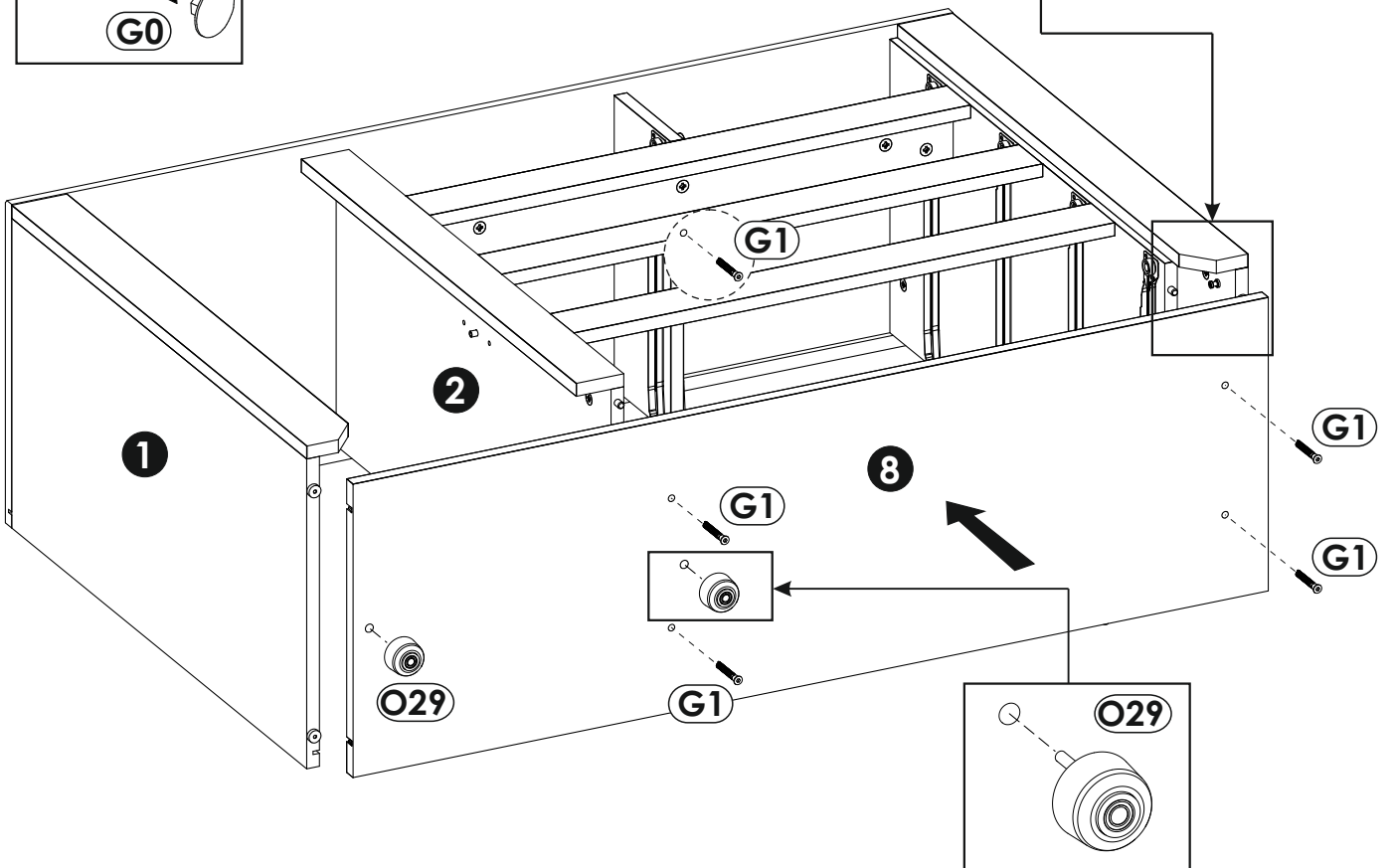
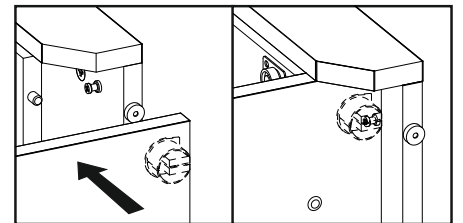
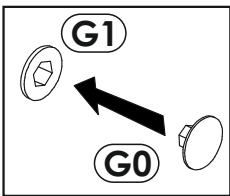
10 ▶



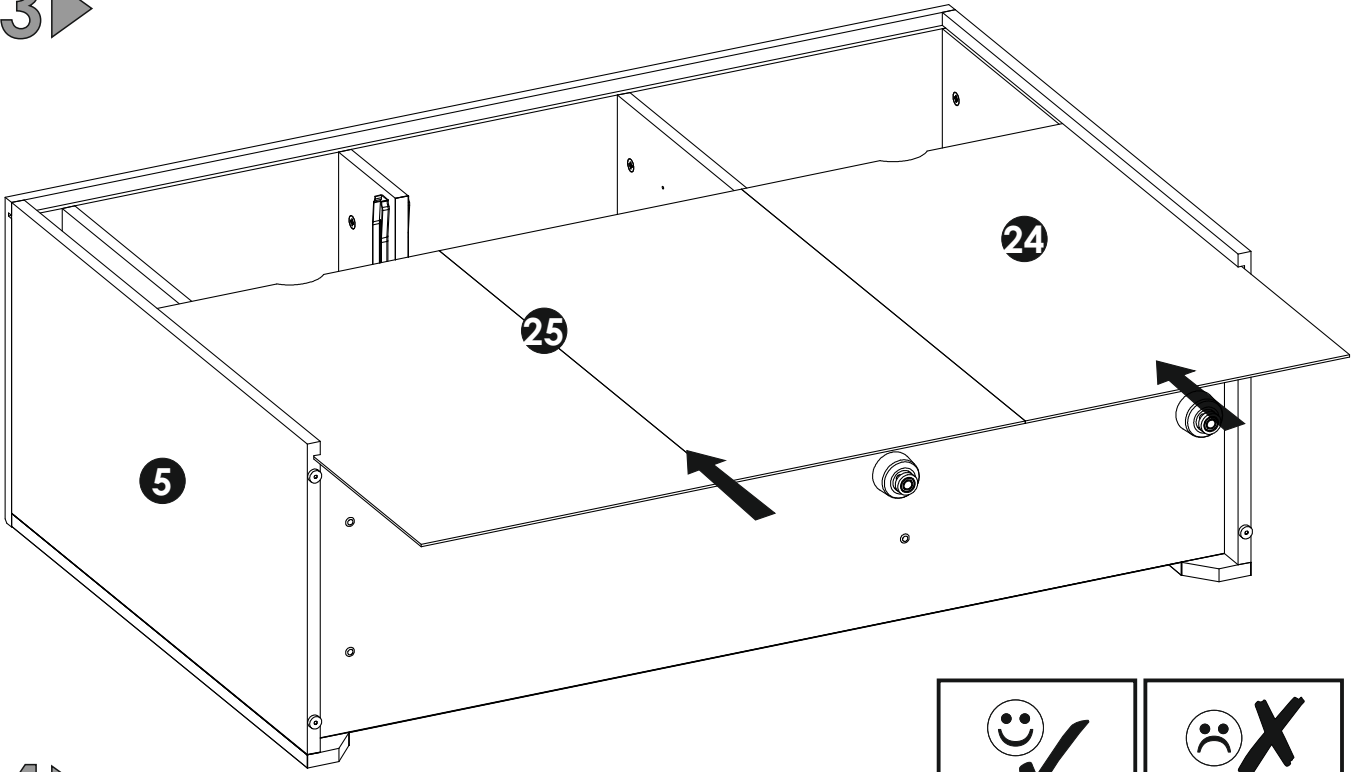
11 ▶



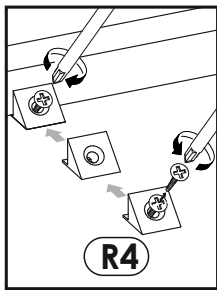
12 ▶



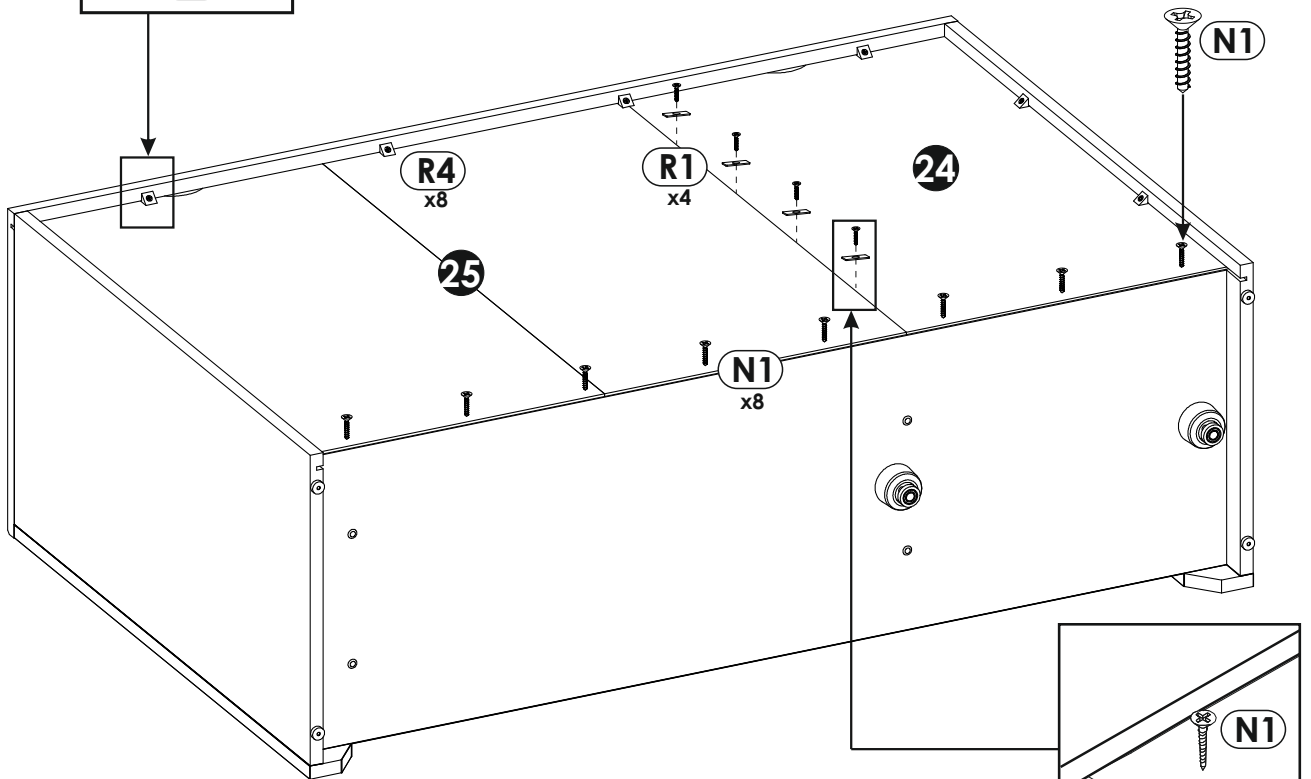
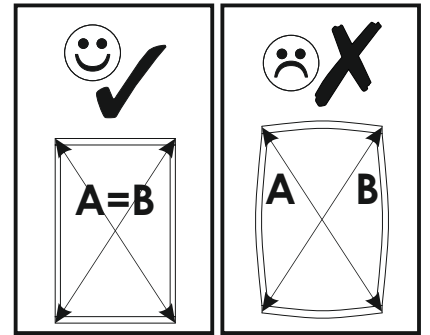
13 ▶



14 ▶



R4



R4 x8

R1 x4

24

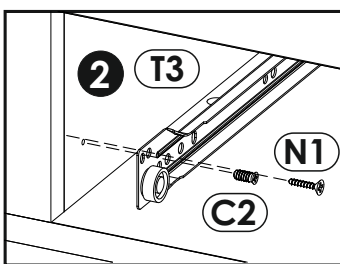
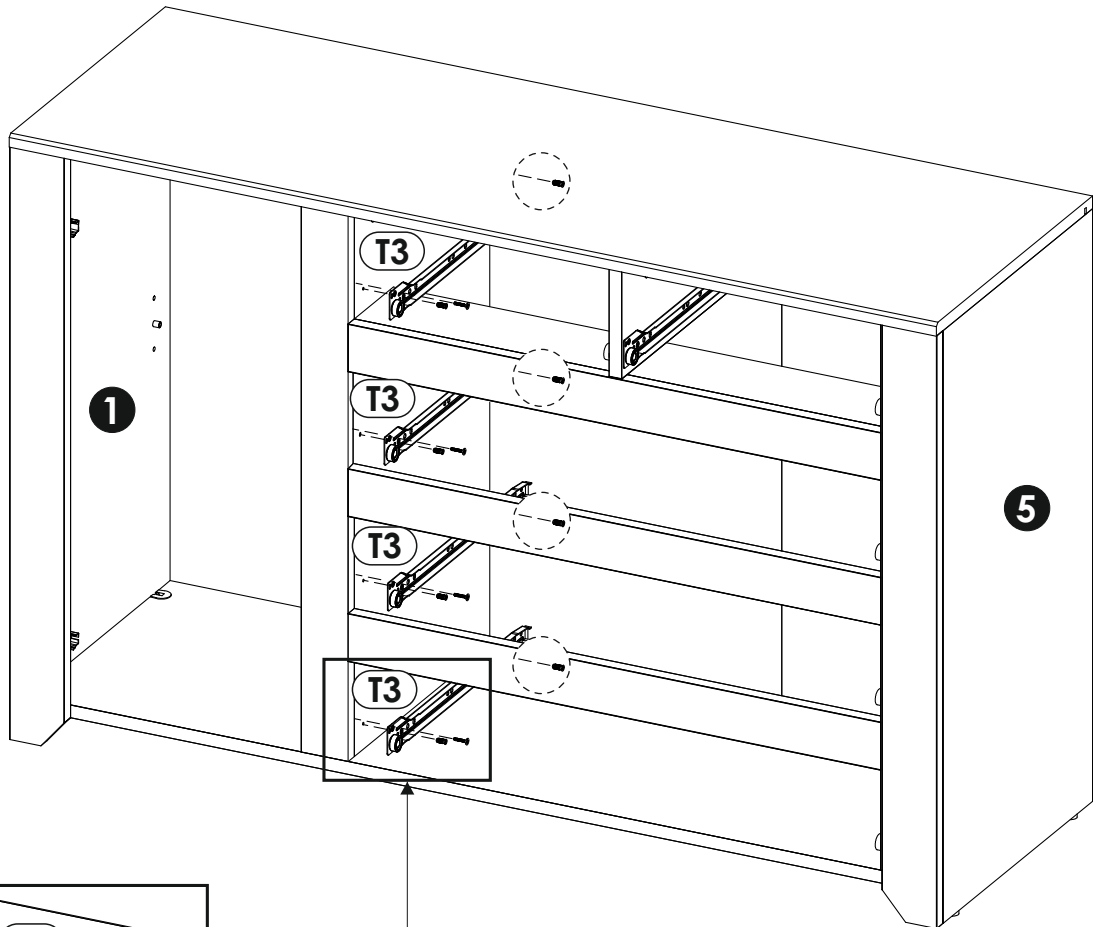
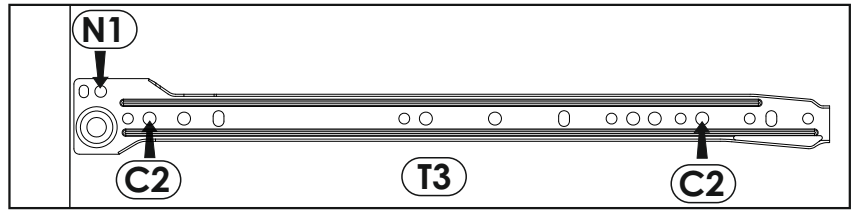
25

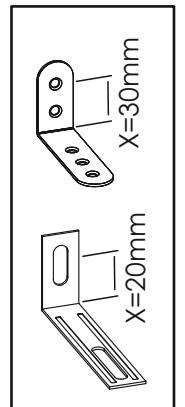
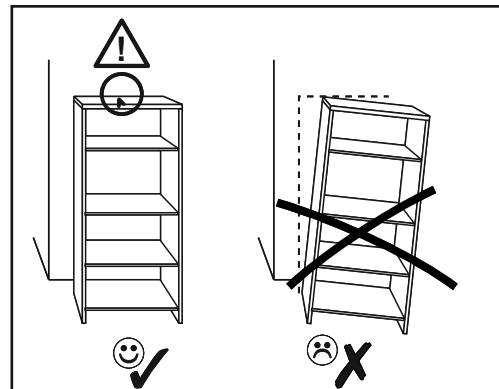
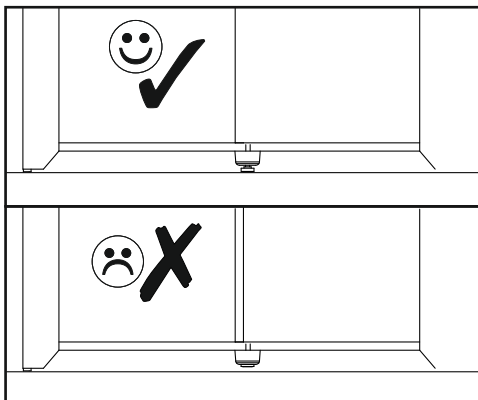
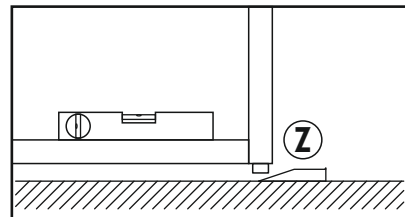
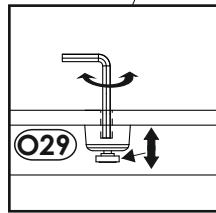
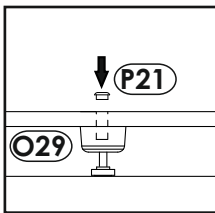
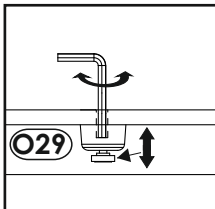
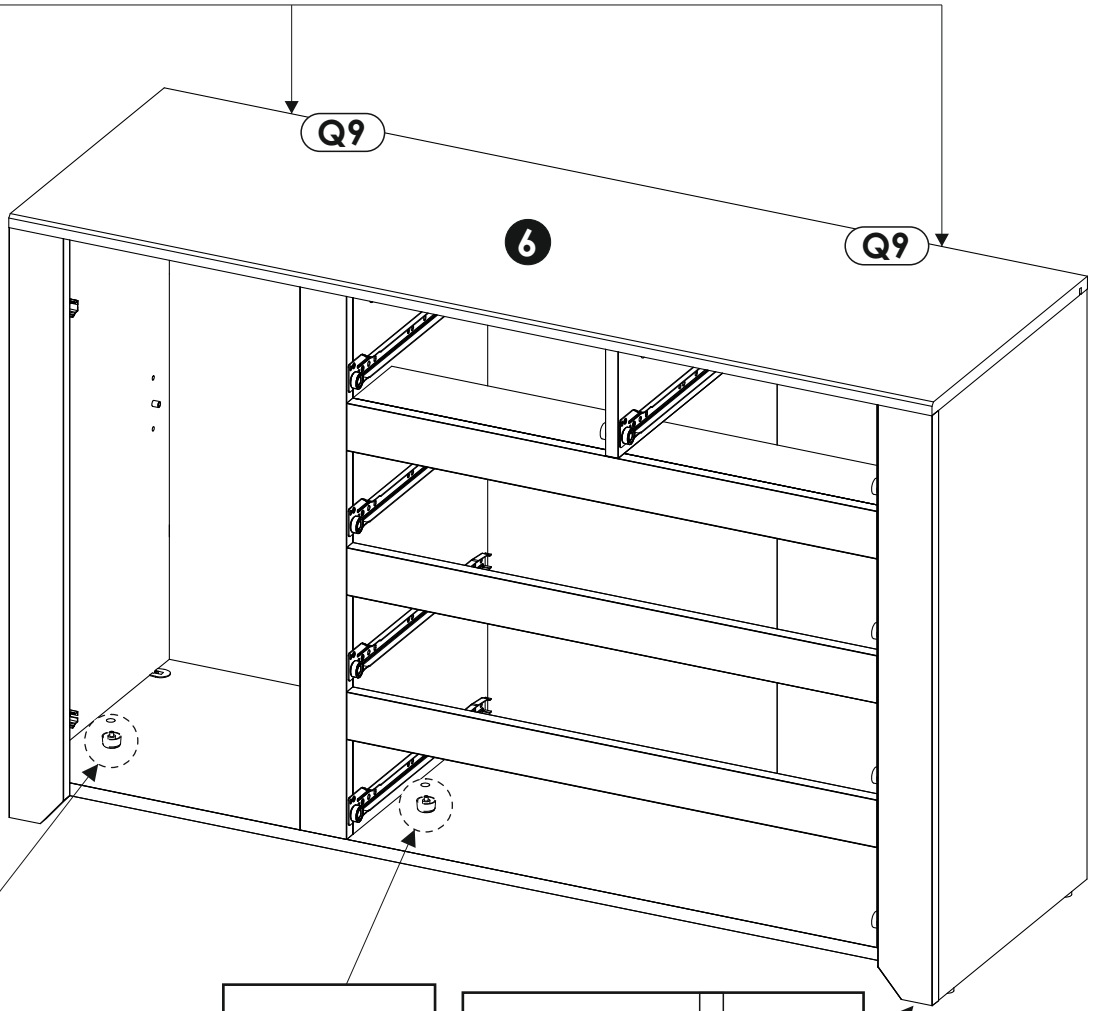
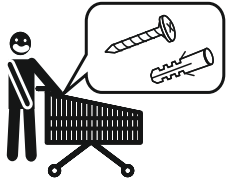
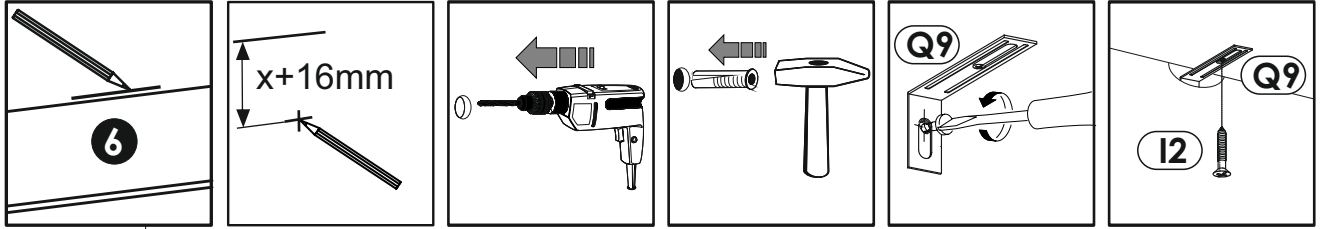
N1 x8

N1

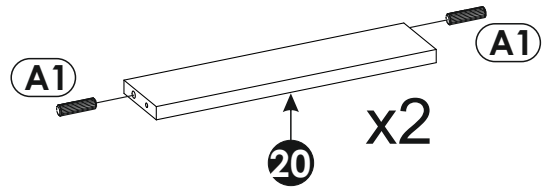
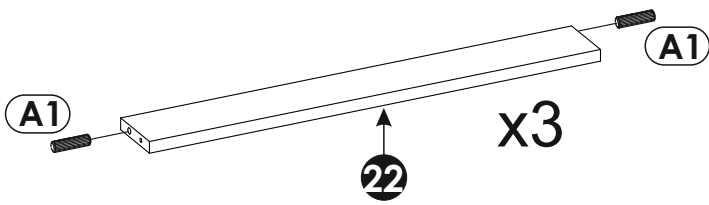
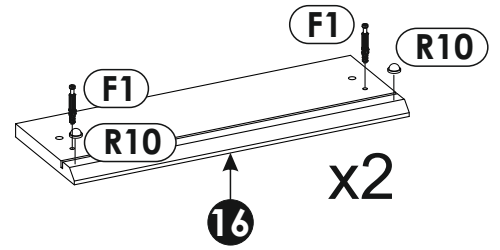
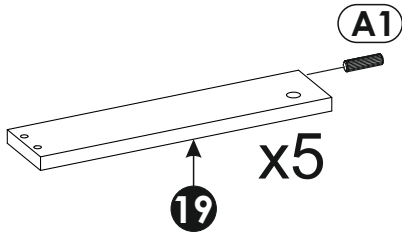
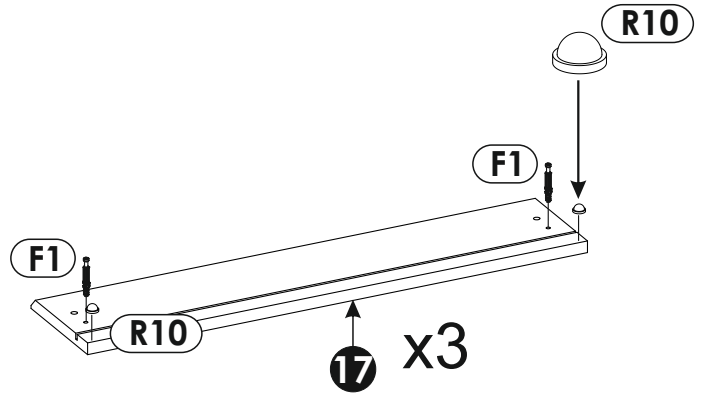
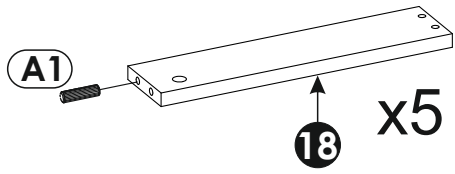
R1

N1

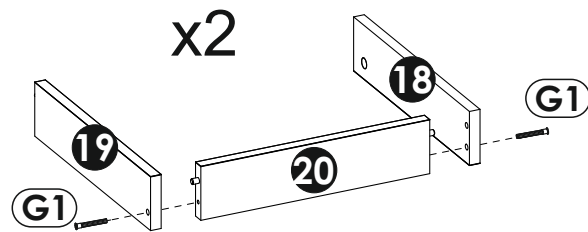
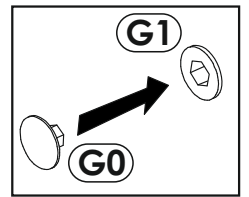
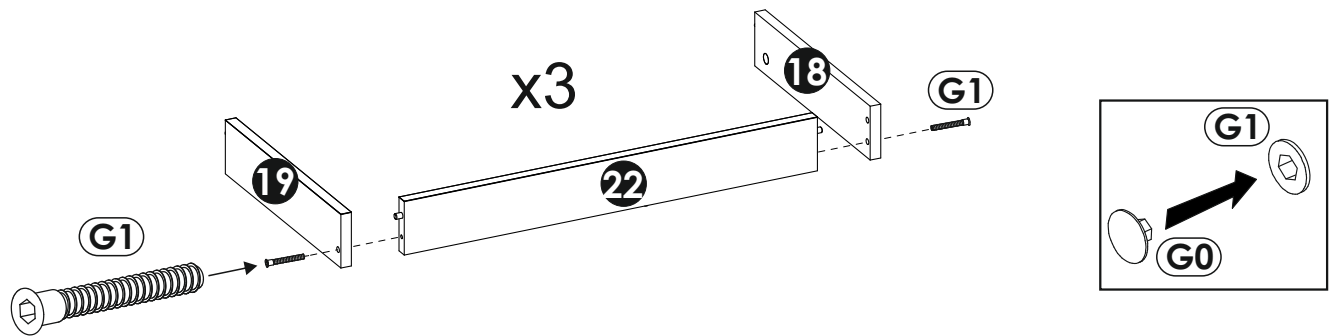




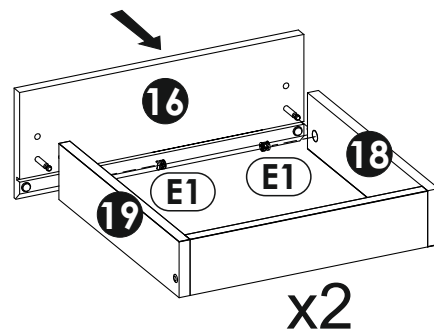
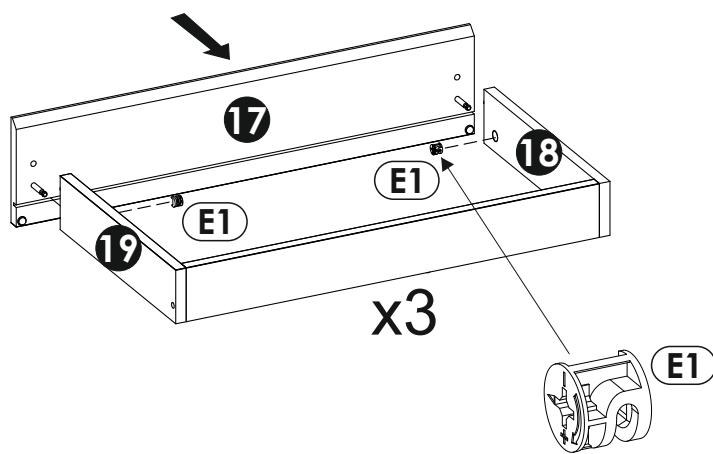
17▶



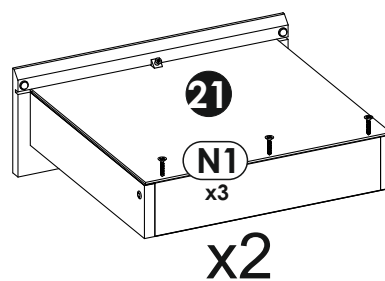
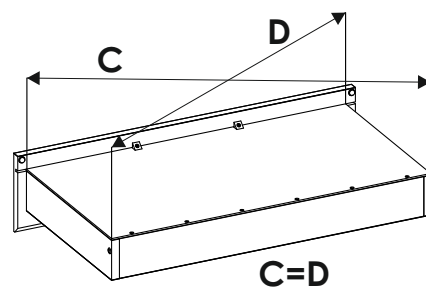
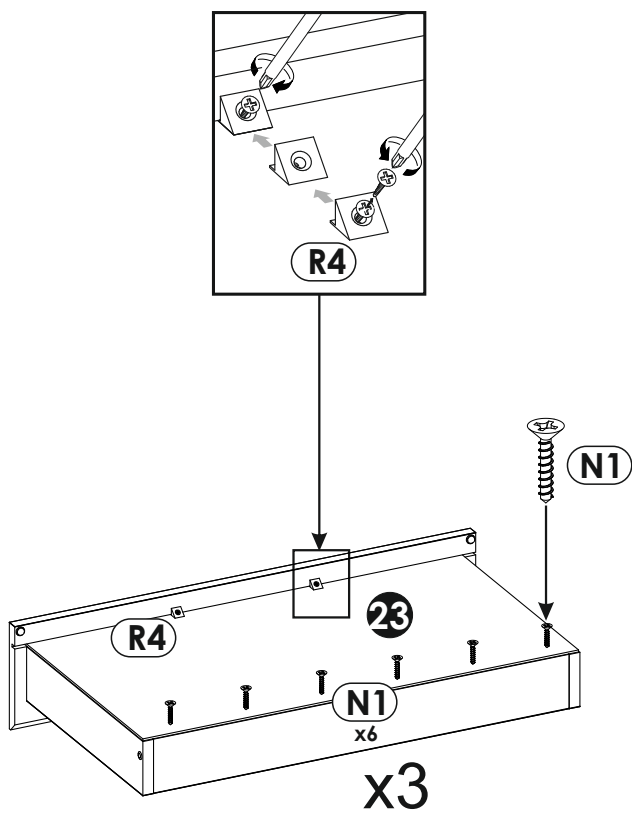
18▶



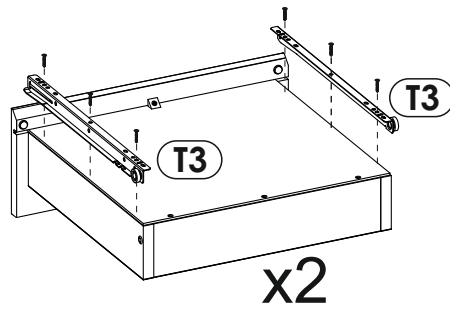
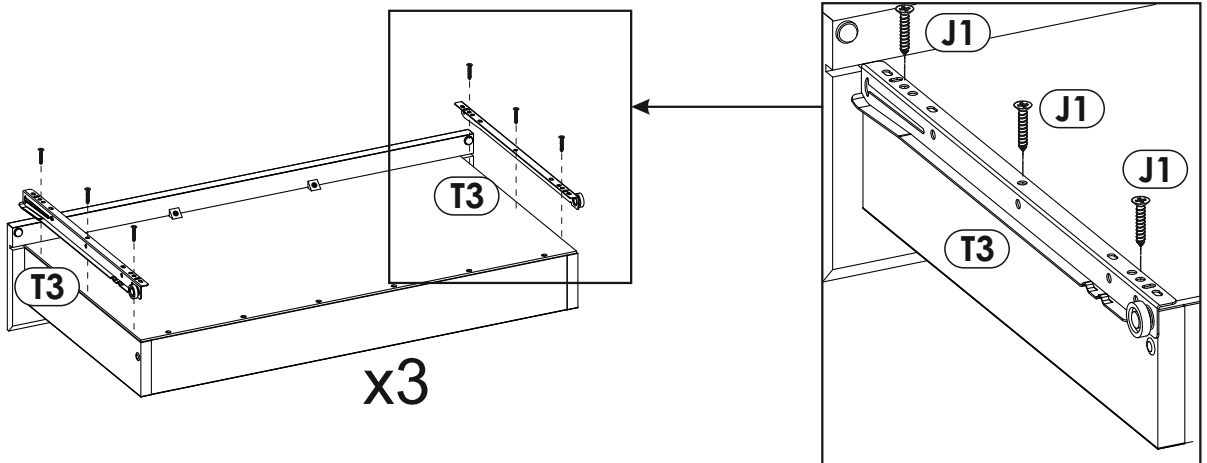
19 ▶



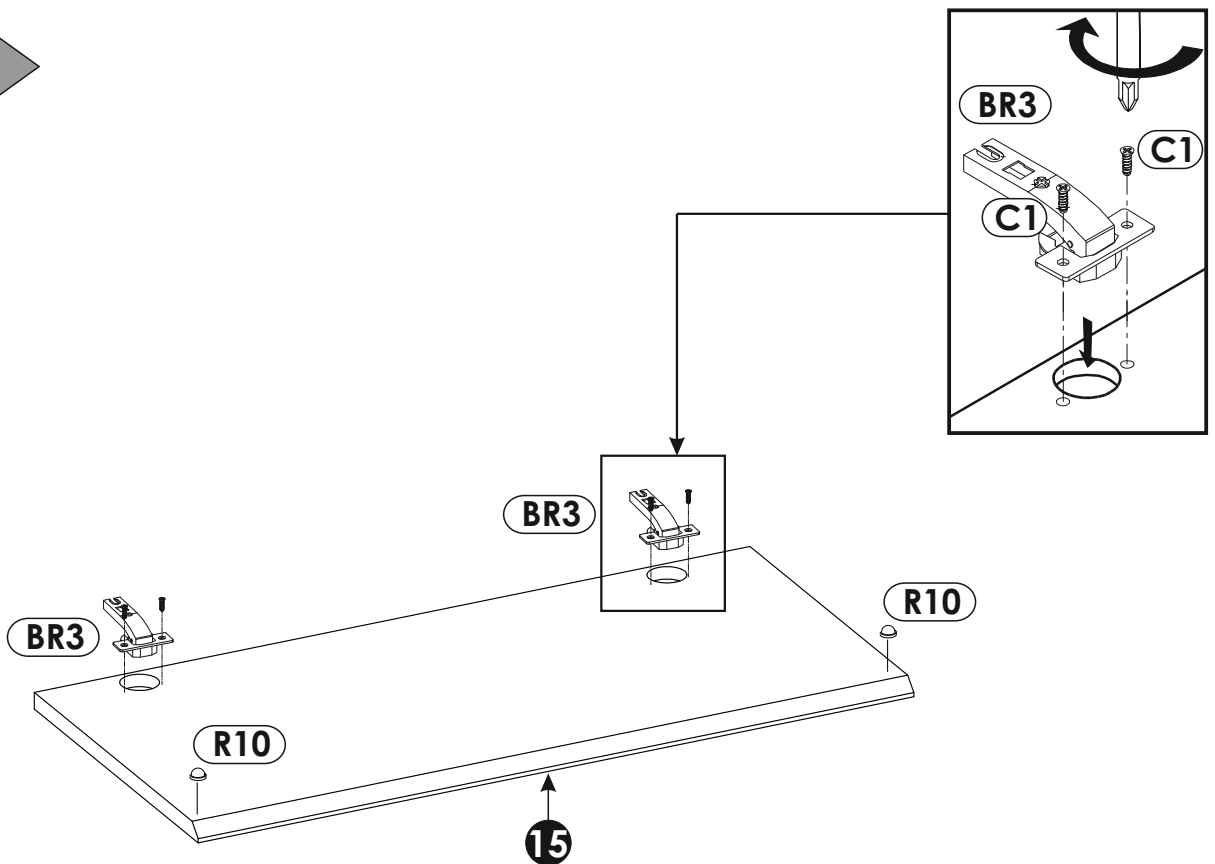
20 ▶



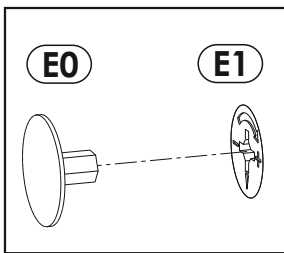
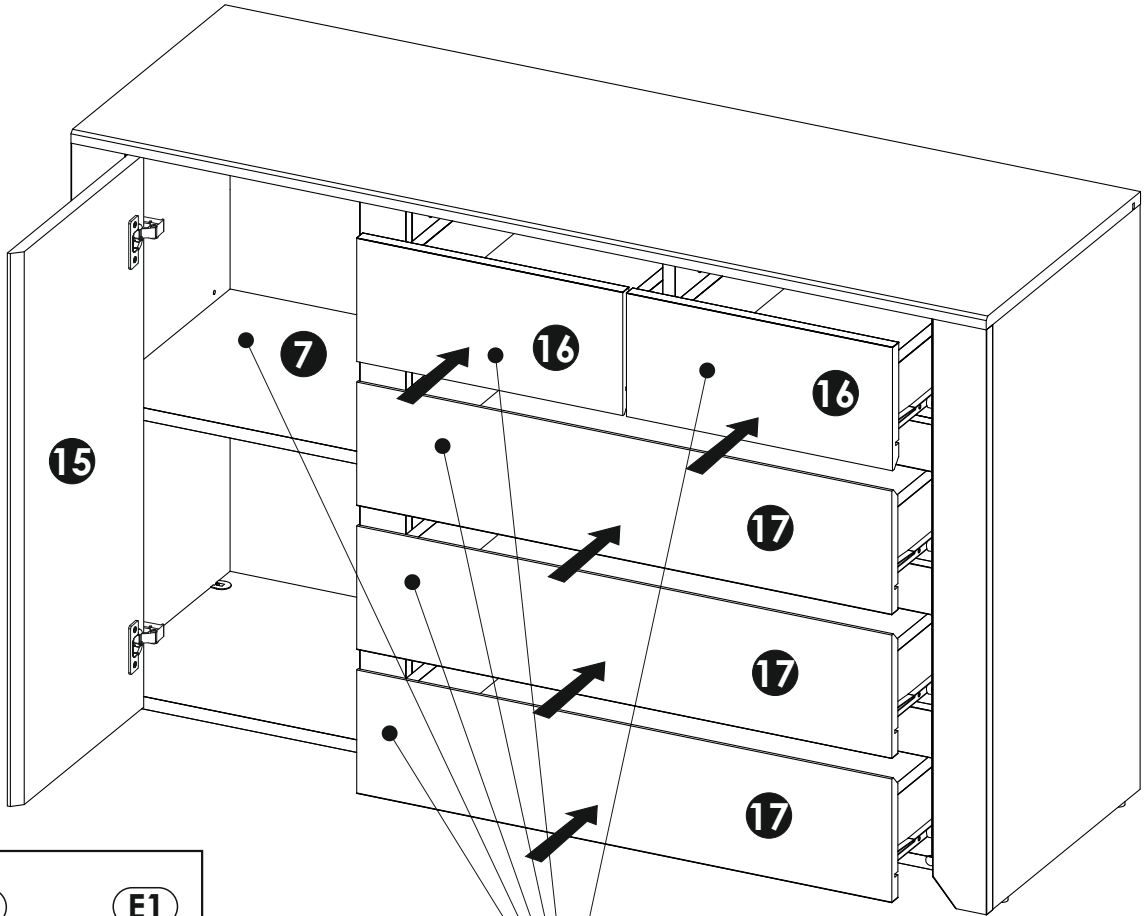
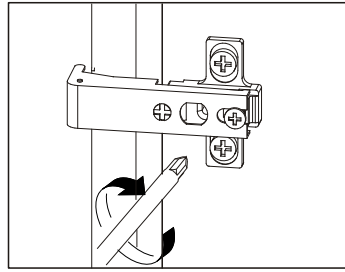
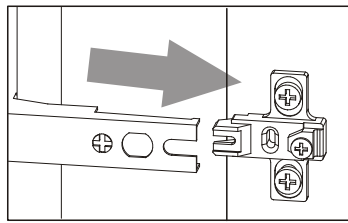
21 ▶



22 ▶



23 ▶



max.
5 kg

